



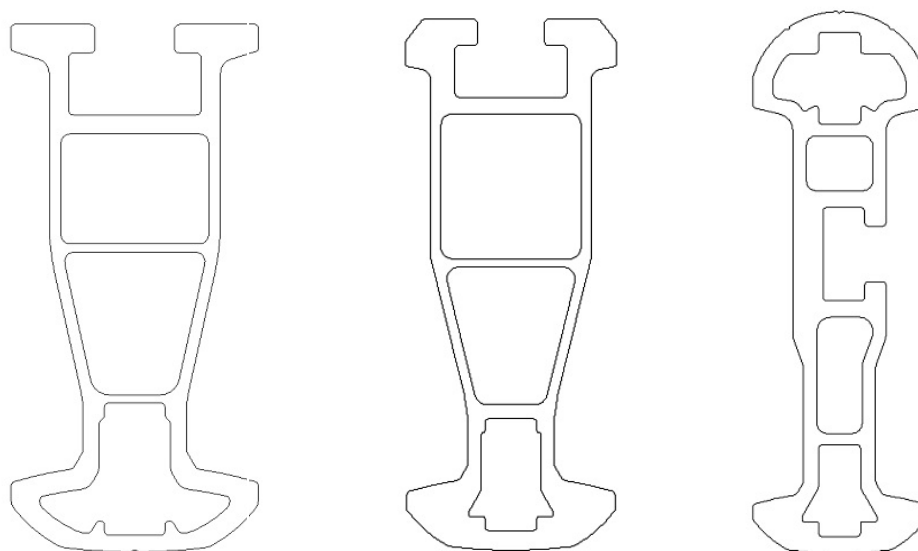
ROSTEK HORIZONTAL MONORAIL SYSTEM

ROSTEK

TRACKS

Rostek Horizontal Monorail System is built with one of the following monorail tracks:

RS111/RS133/RS163. These tracks use the trolleys from RS133 -trolley family: RS133M,-R,-E and -S.



TRACK TYPE	RS111	RS133	RS163
DIMENSIONS	111mm x 52mm	133mm x 53mm	163mm x 52
WEIGHT	3.7 kg/m	4.9 kg/m	7.1 kg/m
MIN. BENDING RADIUS	500mm	500mm	500mm
TYPICAL BRACKET SPACING	2.0m – 2.5m	2.7m – 3.6m	3.5m – 4.5m
BRACKET FASTENING	Top	Top	Side
FASTENING	With two Special Rostek Stainless Steel M16 Bolts for each bracket.		
COLOUR	Anodised or Powder coated in standard RAL colour		
DESCRIPTION	Rostek Horizontal Monorails are designed to carry suspended access equipment according to EN1808. Physical end-stoppers for each track are provided according to customer need. Maximum single trolley load is 500 kg. Only Rostek trolleys (manual, rope driven, electrical, spreader bar) can be used with RS111/RS133/RS163 tracks. The lightweight aluminium tracks are easy to install but still very strong.		

RS133-M

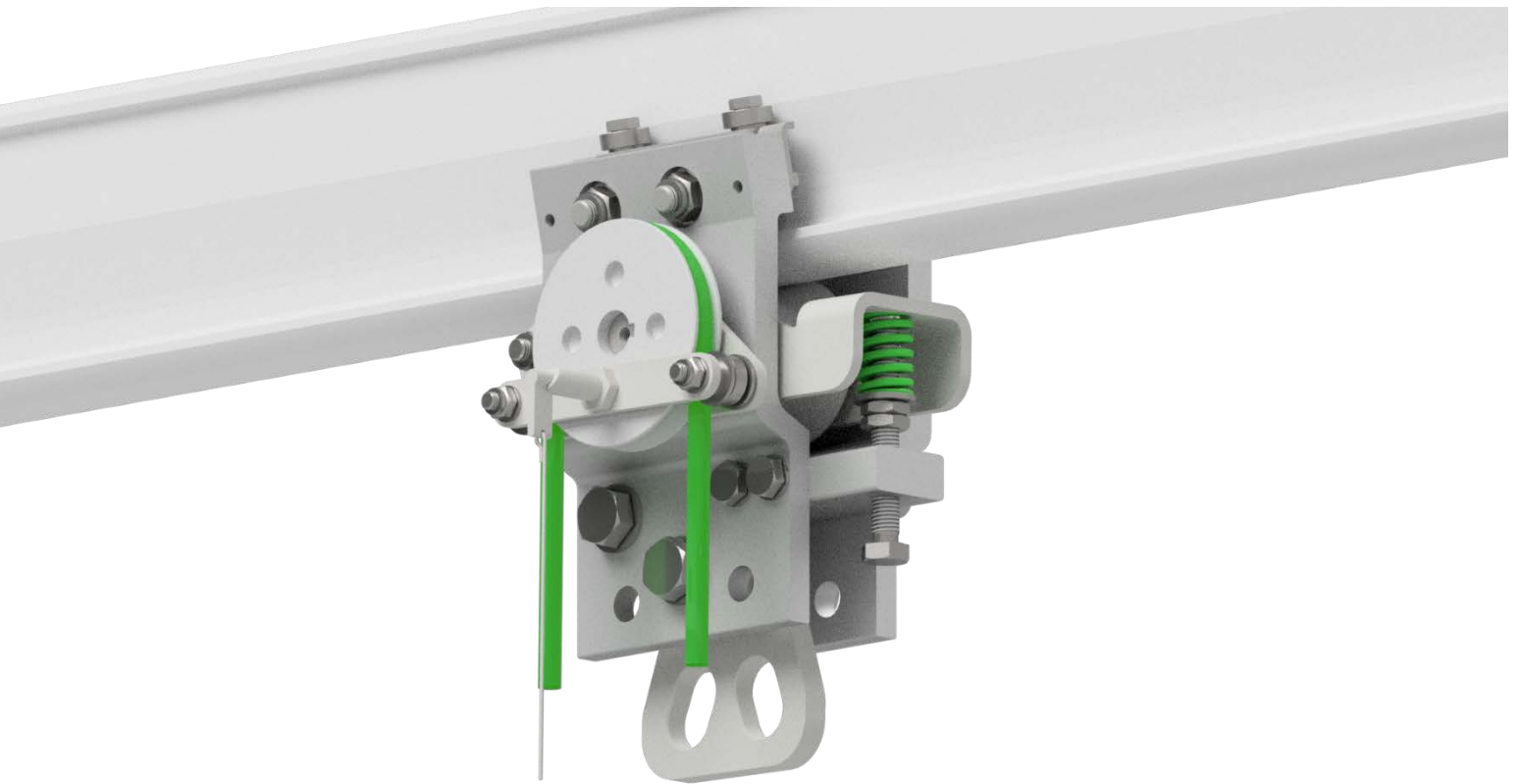
Product code: R003016



TRACK TYPE	RS111, RS133, RS163
WORKING LOAD LIMIT	500 kg
DIMENSIONS	155mm x 225mm x 140mm
MATERIAL	Anodised Aluminum / Stainless Steel
TOTAL WEIGHT	2.7kg
DESCRIPTION	The manual trolley RS133-M is a cost-effective solution in monorail systems for simple building layouts. It is used to carry suspended access equipment (especially 2-hoist cradles) according to the EN1808 -standard. The manual trolley is moved by pulling from the track or the facade or by moving from ground level. The trolley can afterwards be installed and removed thanks to the frame that can be split. Traversing is possible around a building corner with minimum radius of 500 mm. The trolley is delivered with a screw brake to ensure the safety of the user. Design and testing of the trolley is made according to the EN1808 -standard.

RS133-R

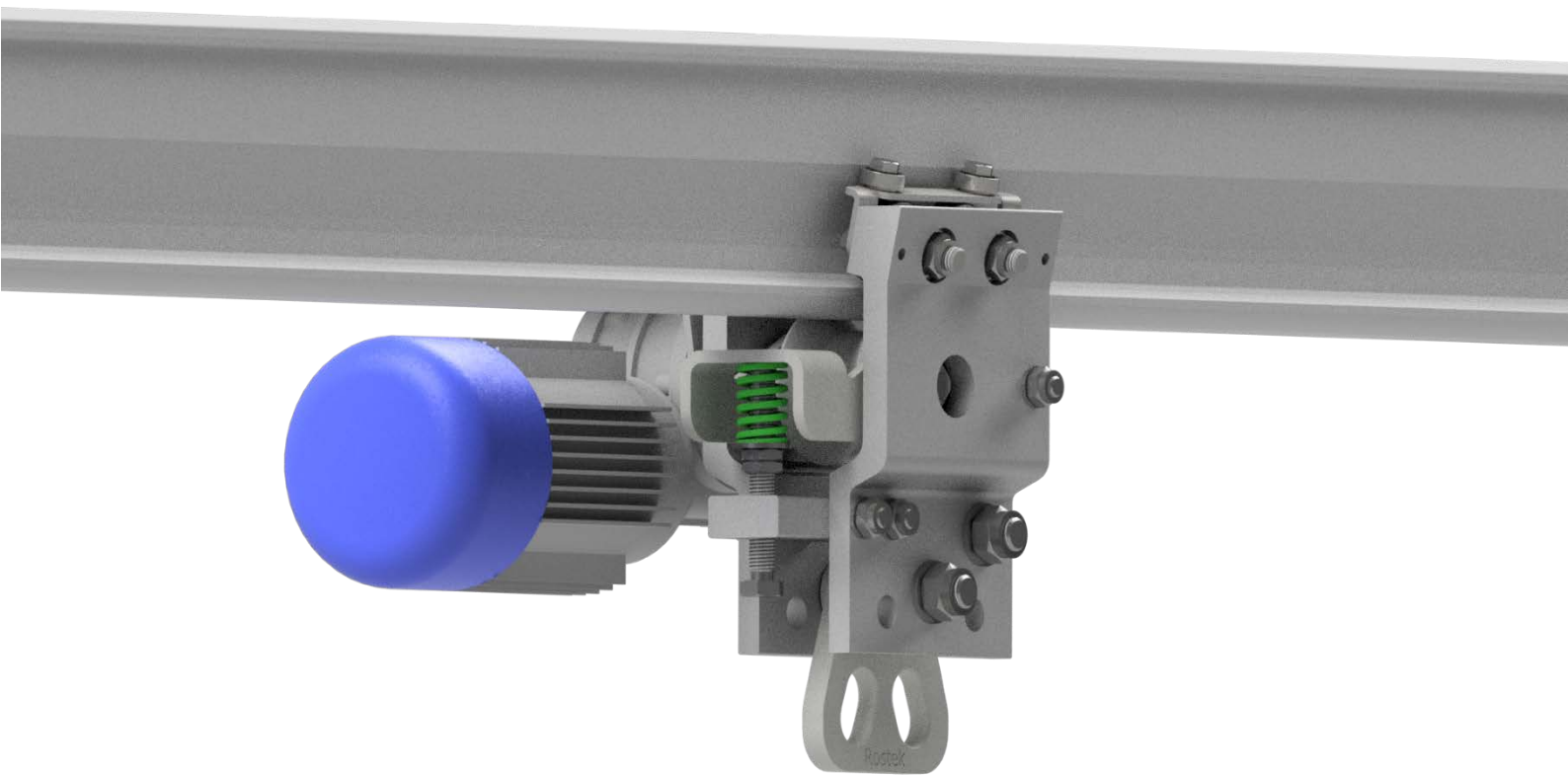
Product code: R005773



TRACK TYPE	RS111, RS133, RS163
WORKING LOAD LIMIT	500 kg
DIMENSIONS	180mm x 280mm x 160mm
MATERIAL	Anodised Aluminum / Stainless Steel
TOTAL WEIGHT	7.8 kg
ROPE LENGTH	Loop 2.5m (5m rope), other lengths on request
DESCRIPTION	The rope driven trolley RS133-R is used especially for Rostek 1-hoist cradles but also with 2 hoist. The trolley is moved by pulling the rope. Traversing is possible around a building corner with minimum radius of 500 mm. The trolley is equipped with a parking brake. Design and testing of the trolley is made according to the EN1808 -standard.

RS133-E

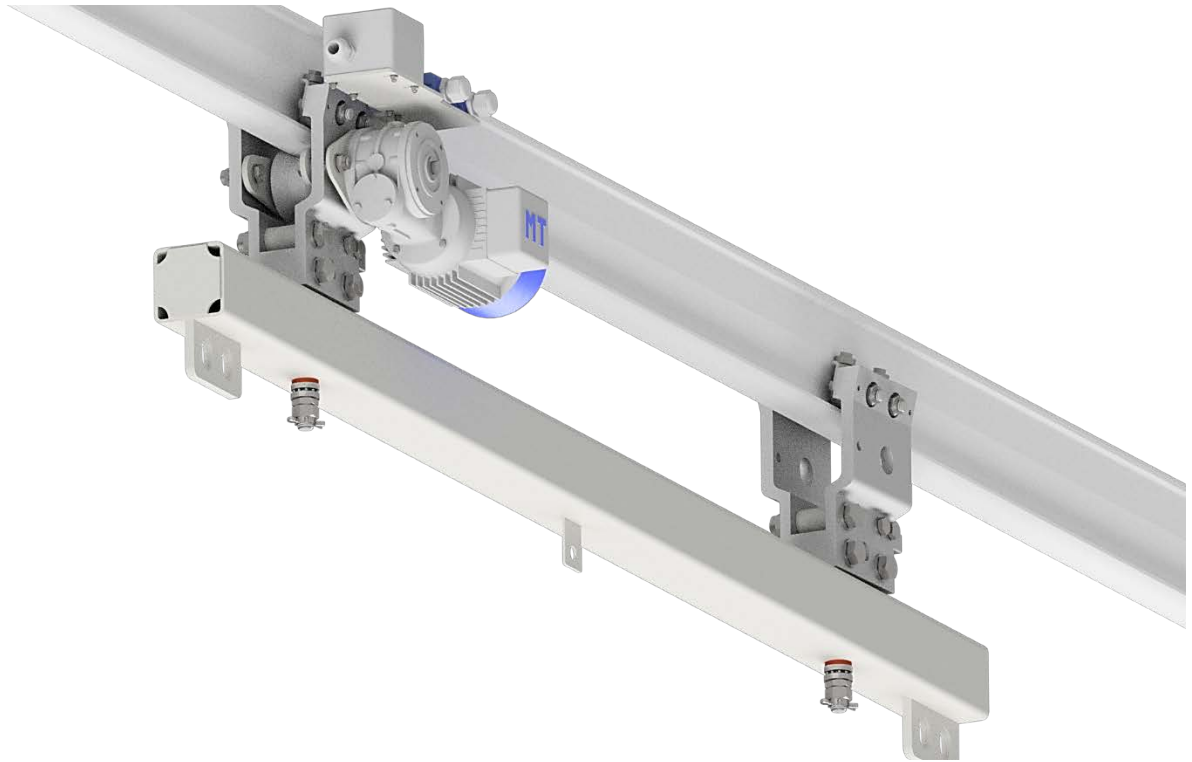
Product code: R005817



TRACK TYPE	RS111, RS133, RS163
WORKING LOAD LIMIT	500 kg
DIMENSIONS	370mm x 330mm x 270mm
TOTAL WEIGHT	13.7 kg
MATERIAL	Anodised Aluminum / Stainless Steel
POWER SUPPLY	3 phase, 400V/50Hz, Power Supply from BMU cradle
TRAVERSE SPEED	6.0 m/min
DESCRIPTION	The light weight electric trolley RS133-E is used for Rostek Horizontal Monorails to carry suspended access equipment according to EN1808. RS133-E has an adjustable traction system to ensure good grip in every situation. The trolley is moved by controls in the cradle and is equipped with two suspension holes. Traversing is possible around a building corner with minimum radius of 500 mm. The RS133-E trolley can be delivered with one way, two way or without a limit switch. The trolley has been designed and tested according to EN1808.

RS133-S

Product code: R003164



TRACK TYPE	RS111, RS133, RS163
WORKING LOAD LIMIT	2 x 400 kg
DIMENSIONS	1900mm x 270mm x 400mm
WEIGHT	36 kg
MATERIAL	HDG Steel, Anodised Aluminum
STANDARD LENGTHS	Susp. wire dist. 1700mm, Trolley dist. 1300mm/1100mm/1000mm
POWER SUPPLY	3 phase, 400V/50Hz, Power Supply from BMU cradle
TRAVERSE SPEED	6.0 m/min
DESCRIPTION	The spreader bar trolley is a special trolley assembly which can be used to travel a 2-hoist BMU platform around a building corner in the air without touching the facade. Depending on the distance between track and facade, the distance between the trolleys is between 1.0m – 1.3m. The bracket span should be checked for each project individually. Spreader bar trolley is used with the BMU 2 cradle. The spreader bar trolley is equipped with two limit switches and is designed and tested according to EN 1808 regulations.

HORIZONTAL ROSTEK MONORAIL SYSTEM

Monorail tracks and trolleys are used for suspending Rostek BMU cradles. BMU1 requires one trolley and BMU2 (in photo) requires two trolleys for operation. BMU1 is rated for one person or 120kg and BMU2 is rated for 2 persons or 250kg.



