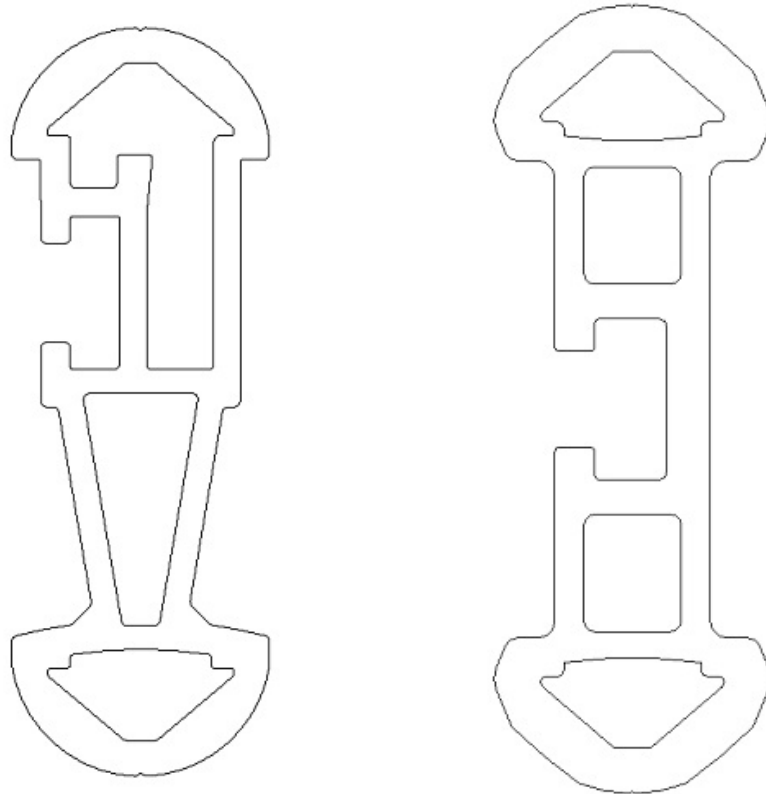




ROSTEK CLIMBING MONORAIL SYSTEM

ROSTEK

CLIMBING TRACKS

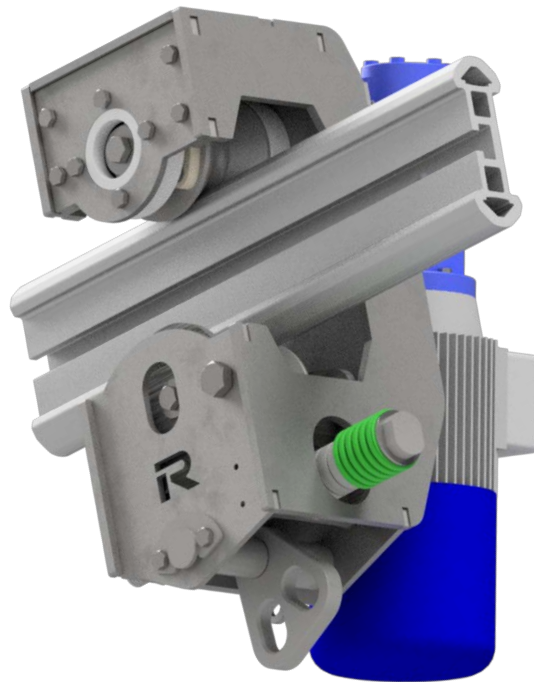


TRACK TYPE	RS127	RS137
DIMENSIONS	127mm x 44mm	137mm x 50mm
WEIGHT	5.4 kg/m	6.7 kg/m
MIN. VERTICAL BENDING RADIUS	700 mm	900 mm
MIN. HORIZONTAL BENDING RADIUS	500 mm	500 mm
TYPICAL BRACKET SPACING	2.0 m – 3.2 m	2.7 m – 3.8 m
FASTENING	With two Special Rostek Stainless Steel M16 Bolts for each bracket.	
COLOUR	Mill finished	
DESCRIPTION	Rostek Climbing Monorails are designed to carry suspended access equipment according to EN1808. RS127 and RS137 tracks can be bent in horizontal and vertical direction and in 3-dimensional shape. End-stoppers for each track are provided according to customer need. Maximum single trolley load is 500 kg. Only Roslift trolleys can be used with RS127/RS137 tracks.	



Roslift 35

Product code: R008859 / R004387

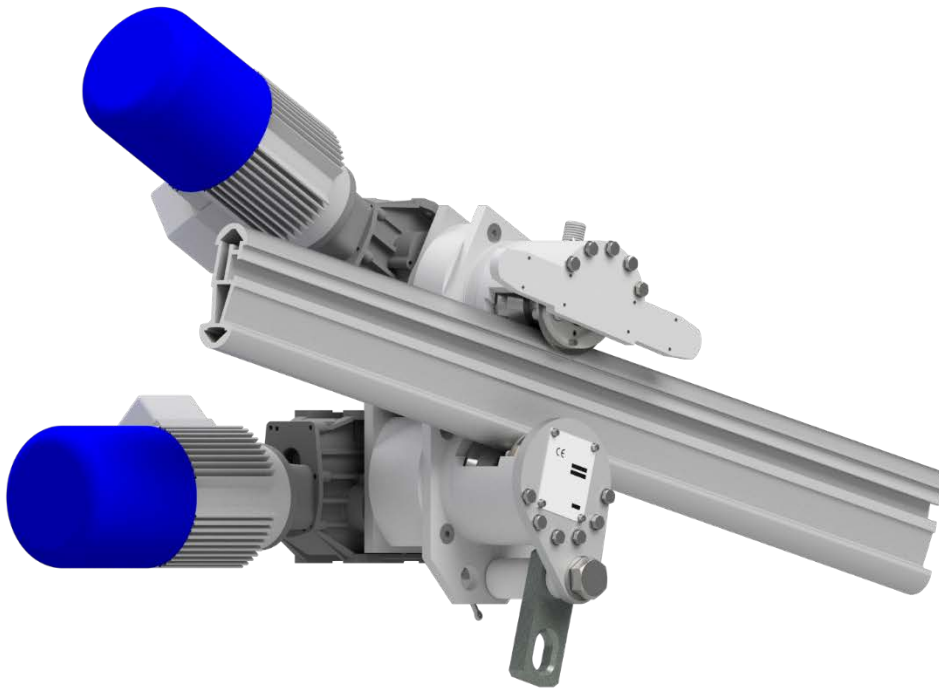


TRACK TYPE	RS127, RS137
WORKING LOAD LIMIT	400kg (35°) / 500kg (30°)
DIMENSIONS	480mm x 270mm x 350mm
TOTAL WEIGHT	35kg
MATERIAL	Stainless Steel
POWER SUPPLY	3 phase, 400V/50Hz, Power Supply from BMU cradle
TRAVERSE SPEED	6.0 m/min
DESCRIPTION	Roslift 35 is light and small 1-motor monorail trolley designed for inclined tracks. It is designed to carry suspended access equipment according to EN1808. The trolley is moved by controls inside the cradle and is equipped with two suspension points, one for the suspension wire and one for the safety wire. Roslift 35 can be driven vertically (90°) without load. The trolley has been designed and tested according to EN1808.



Roslift 400

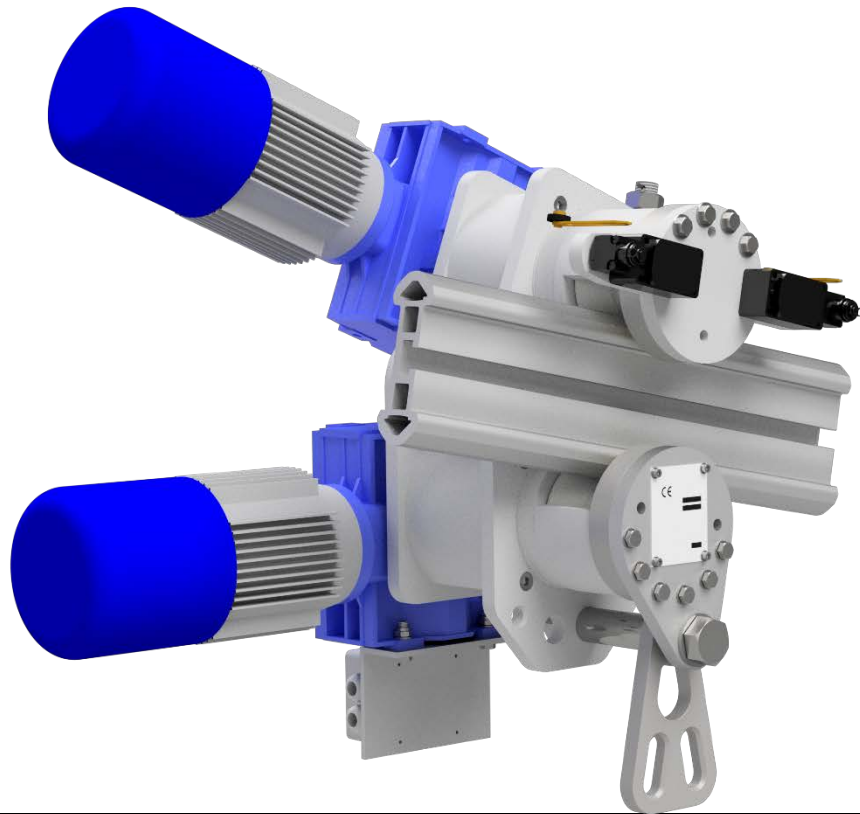
Product code: R008240



TRACK TYPE	RS127
WORKING LOAD LIMIT	400kg
DIMENSIONS	550mm x 500mm x 400mm
TOTAL WEIGHT	55kg
MATERIAL	Aluminium & Stainless Steel
POWER SUPPLY	3 phase, 400V/50Hz, Power Supply from BMU cradle
TRAVERSE SPEED	8.5 m/min
DESCRIPTION	Roslift 400 is part of the patented monorail system for inclined tracks. It is designed to carry suspended access equipment along inclined track lines according to EN1808. The trolley will be moved by controls inside the cradle and is equipped with two suspension points, one for the suspension wire and one for the safety wire. Roslift 400 can be driven vertically (90°) with full load. The trolley has been designed and tested according to EN1808.

Roslift 500

Product code: R006822



TRACK TYPE	RS137
WORKING LOAD LIMIT	500kg
DIMENSIONS	550mm x 500mm x 450mm
TOTAL WEIGHT	65kg
MATERIAL	Aluminium & Stainless Steel
POWER SUPPLY	3 phase, 400V/50Hz, Power Supply from BMU cradle
TRAVERSE SPEED	8.5 m/min
DESCRIPTION	Roslift 500 is part of the patented monorail system for inclined tracks. It is designed to carry suspended access equipment along inclined track lines according to EN1808. The trolley will be moved by controls inside the cradle and is equipped with two suspension points, one for the suspension wire and one for the safety wire. Roslift 500 can be driven vertically (90°) with load. The trolley has been designed and tested according to EN1808.

